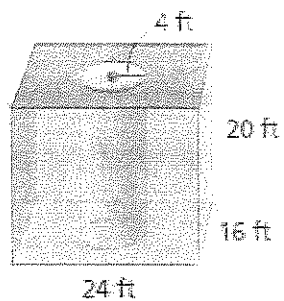
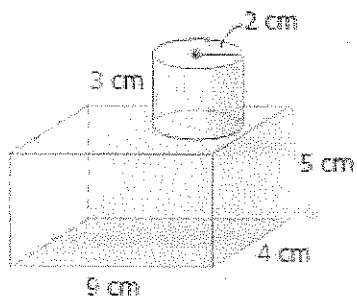


Find the surface area of the composite figures.

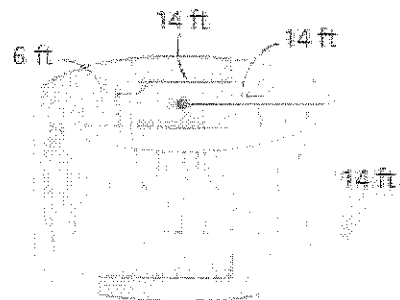
1.



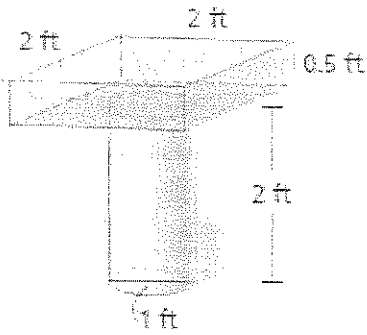
2.



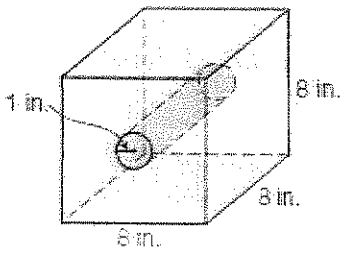
3.



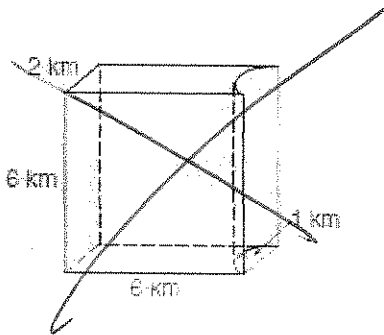
4.



5.

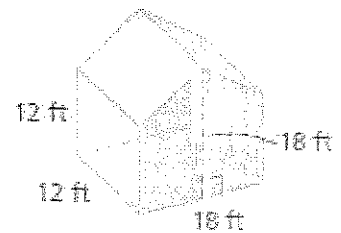


6.



7. If one gallon of paint covers 250 sq. ft. and one gallon costs \$25,

a) How many gallons of paint will be needed to cover the shed, not including the roof?



b) How much will it cost to paint the sides of the shed?